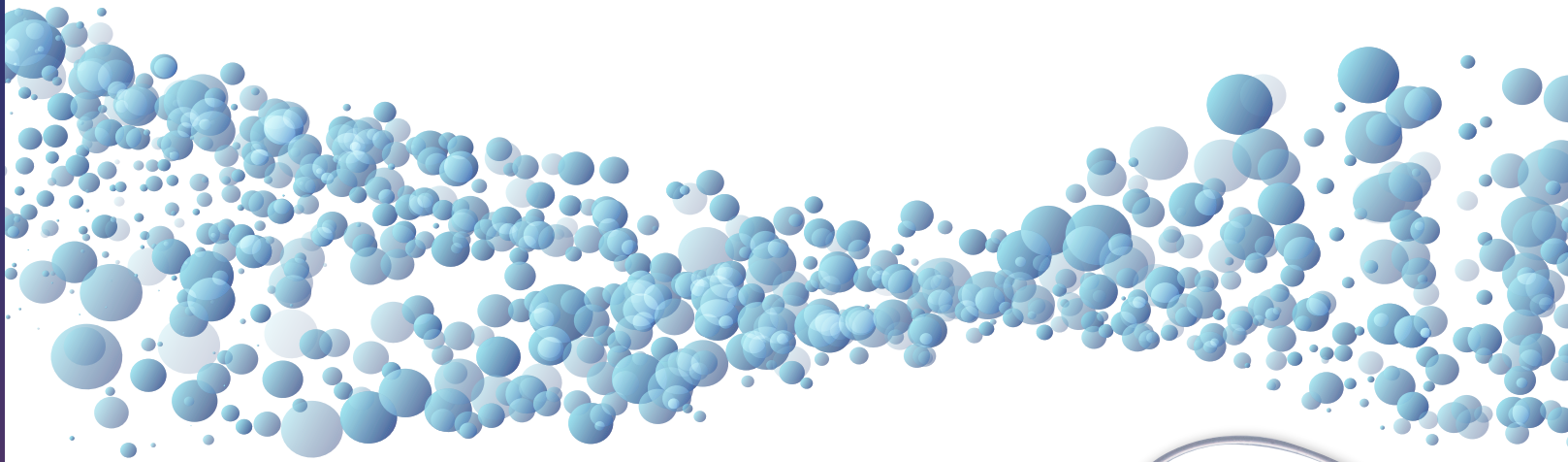


# CRYOSTORE™ Freezing Bags

The OriGen **CRYOSTORE™** bag is intended for freezing blood components.

**OriGen**  
BIOMEDICAL



*The industry-preferred freezing bag that has the built-in ease of use, durability, and quality that you need.*

## EASE OF USE – BUILT-IN

The donor tube is intentionally placed in the corner of the bag for easier debubbling and sealing. OriGen can provide the bag with one of several stock or non-stock tube sets to fit your processing needs. All tubing sets are SCD weldable, allowing for versatile applications. You can order multi-bag sets to reduce processing time and the possibility of contamination in the lab.

## NEEDLE-FREE INJECTION PORT

The “N” tubing set has luer-actuated needle-free injection ports. These swabable ports maintain sterility of the sample through numerous actuations (white paper available) and can eliminate the possibility of needle sticks.

## ALIQUOTS – MATCHED BAG AND TUBE PRINTING

Each stock bag has a printed number on the label pocket and a donor tube with pre-marked printed segments of approximately 100µL. This can aid in tracing aliquot samples to the bag.

## DURABILITY – BETTER MATERIAL, PROVEN PERFORMANCE

The OriGen **CRYOSTORE™** Bag is the industry-preferred cryogenic freezing bag. The hermetically sealed spike ports and film used in every **CRYOSTORE™** bag are made from a robust EVA.

## OUR QUALITY STANDARDS

A Certificate of Conformance (CoC) is included with each **CRYOSTORE™** bag. OriGen’s **CRYOSTORE™** bags are CE marked and FDA 510(k) cleared. OriGen is certified to ISO 13485:2016, MDSAP certified, and all products are manufactured to GMP guidelines.



## TECHNICAL INFORMATION

PART CODE	WIDTH (cm*)	LENGTH (cm*)	FREEZE VOLUME MIN-MAX, ML
CS50	7.6	14.7	10-30
CS250	12.7	17.7	30-70
CS500	12.7	22.8	55-100
CS750	12.7	25.7	80-190
CS1000	15.0	28.5	120-275
CS2000	23.0	34.0	180-450

\*Length and width are overall bag footprint.

Distributed by Abacus dx

1800 ABACUS (AUS) 0800 222 170 (NZ) | [info@abacusdx.com](mailto:info@abacusdx.com) | [www.abacusdx.com](http://www.abacusdx.com)

abacus dx

PART CODE	TUBE SET DESCRIPTION	PACKAGING	OVERWRAP	DOUBLE POUCHED	CASE QUANTITY	STOCK/ NON-STOCK
<b>CRYOSTORE™ 28 EVA FREEZING BAG, 10-25ML</b>						
CS28V	"V" Tubing Set - Female luer with injection Y to two CS28 bags with pinch clamps	Pouch of 4			24	Non-Stock
<b>CRYOSTORE™ 50 EVA FREEZING BAG, 10-30ML</b>						
CS50	"Standard" Tube Set - Two female luers with caps	Pouch of 4			24	Stock
CS50M3	"M3" Tube Set - One male luer with cap, two female luers with caps, a needle-free injection port and a pinch clamp	Pouch of 4			24	Non-Stock
CS50N	"N" Tube Set - One male luer with cap, two female luers with caps, and a needle-free injection port	Pouch of 4			24	Stock
CS50NS	"N" Tube Set - One male luer with cap, two female luers with caps, and a needle-free injection port	Pouch of 1		✓	12	Stock
CS50S	"Standard" Tube Set - Two female luers with caps	Pouch of 1		✓	12	Stock
CS50V7	Multiple bag set, ten 50 EVA freezing bags, and one 750 EVA freezing bag, "V7" Tube Set - Female luers with caps, "Y" connectors, pinch clamps, slide clamps, co-extruded EVA/PVC tubing and a 30 cm PVC tube	Pouch of 1 Set			2 Sets	Non-Stock
<b>CRYOSTORE™ 250 EVA FREEZING BAG, 30-70ML</b>						
CS250	"Standard" Tube Set - Two female luers with caps	Pouch of 4			24	Stock
CS250F7	"F7" Tube Set - Two female luers with caps and a needle-free valve	Pouch of 4			24	Non-Stock
CS250N	"N" Tube Set - One male luer with cap, two female luers with caps, and a needle-free injection port	Pouch of 4			24	Stock

The OriGen CryoStore™ bag is indicated for freezing blood components. Carefully read Instructions for Use before using this product. Sterile, single use only, made in the USA.




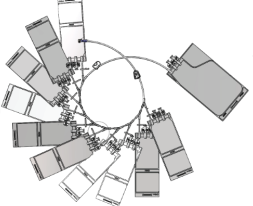

PART CODE	TUBE SET DESCRIPTION	PACKAGING	OVERWRAP	DOUBLE POUCHED	CASE QUANTITY	STOCK/ NON-STOCK
<b>CRYOSTORE™ 250 EVA FREEZING BAG, 30-70ML</b>						
CS250NS	"N" Tube Set - One male luer with cap, two female luers with caps, and a needle-free injection port	Pouch of 1		✓	12	Stock
CS250NSW	"N" Tube Set - One male luer with cap, two female luers with caps, and a needle-free injection port	Pouch of 1	✓	✓	12	Stock
CS250S	"Standard" Tube Set - Two female luers with caps, one bag	Pouch of 1		✓	12	Non-Stock
<b>CRYOSTORE™ 400 EVA FREEZING BAG, 55-100ML, CUSTOM LENGTH 8 INCHES</b>						
CS400	"Standard" Tubing Set - Two female luers with caps	Pouch of 4			24	Non-Stock
<b>CRYOSTORE™ 500 EVA FREEZING BAG, 55-100ML</b>						
CS500	"Standard" Tube Set - Two female luers with caps	Pouch of 4			24	Stock
CS500i2PW	Custom-width 10.9cm bag, "N" Tube set - One male luer with cap, two female luers with caps, and a needle-free injection port	Pouch of 1	✓		12	Non-Stock
CS500i3	Custom length 7.5 inches, "Standard" Tubing Set - Two female luers with roller clamps	Pouch of 4			24	Stock
CS500N	"N" Tube Set - One male luer with cap, two female luers with caps, and a needle-free injection port	Pouch of 4			24	Stock
CS500NS	"N" Tube Set - One male luer with cap, two female luers with caps, and a needle-free injection port	Pouch of 1		✓	12	Stock
CS500NSW	"N" Tube Set - One male luer with cap, two female luers with caps, and a needle-free injection port	Pouch of 1	✓	✓	12	Stock
CS500NSWT	"N" Tube Set - One male luer with cap, two female luers with caps, and a needle-free injection port	Pouch of 1	✓	✓	12	Non-Stock

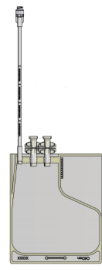

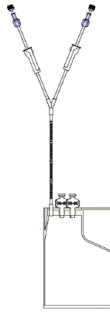


The OriGen CryoStore™ bag is indicated for freezing blood components. Carefully read Instructions for Use before using this product. Sterile, single use only, made in the USA.


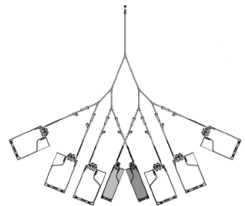



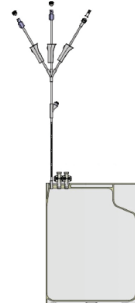
PART CODE	TUBE SET DESCRIPTION	PACKAGING	OVERWRAP	DOUBLE POUCHED	CASE QUANTITY	STOCK/ NON-STOCK
<b>CRYOSTORE™ 500 EVA FREEZING BAG, 55-100ML</b>						
CS500S	"Standard" Tube Set - Two female luers with caps	Pouch of 1		✓	12	Non-Stock
CS500V2	Custom 2-Bag set with spikes, "V2" Tube Set - One nylon spike with cover, one male luer with cap, a needle-free injection port and pinch clamps, 2 sets per pouch	Pouch of 2			12	Non-Stock
CS500V8	8-bag set, "V8" Tube Set -One female luer with cap, with "Y" connectors, roller clamps and needle-free "Y"	Pouch of 1 set			3 Sets	Non-Stock
<b>CRYOSTORE™ 750 EVA FREEZING BAG, 80-190ML</b>						
CS750	"Standard" Tube Set - Two female luers with caps	Pouch of 4			24	Stock
CS750N	"N" Tube Set - One male luer with cap, two female luers with caps, and a needle-free injection port	Pouch of 4			24	Stock
CS750NS	"N" Tube Set - One male luer with cap, two female luers with caps, and a needle-free injection port	Pouch of 1		✓	12	Stock
CS750NSW	"N" Tube Set - One male luer with cap, two female luers with caps, and a needle-free injection port	Pouch of 1	✓	✓	12	Stock
<b>CRYOSTORE™ 1000 EVA FREEZING BAG, 120-275ML</b>						
CS1000N	"N" Tube Set - One male luer with cap, two female luers with caps, and a needle-free injection port with roller clamps	Pouch of 4			24	Stock
<b>CRYOSTORE™ 2000 EVA FREEZING BAG, 180-450ML</b>						
CS2000N	"N" Tube Set - One male luer with cap, two female luers with caps, and a needle-free injection port	Pouch of 4			24	Stock
CS2000NS	"N" Tube Set One male luer with cap, two female luers with caps, and a needle-free injection port	Pouch of 1		✓	12	Non-Stock

The OriGen CryoStore™ bag is indicated for freezing blood components. Carefully read Instructions for Use before using this product. Sterile, single use only, made in the USA.

**EXAMPLE DRAWINGS OF CRYOSTORE™ BAGS AND TUBE SETS**

DRAWING	PART CODE
	CS28V
	CS50
	CS50M3
	CS50V7
	CS250

DRAWING	PART CODE
	CS250F7
	CS250N
	CS400
	CS500
	CS500N

DRAWING	PART CODE
	CS500V2
	CS500V8
	CS750
	CS750N
	CS1000N
	CS2000N